



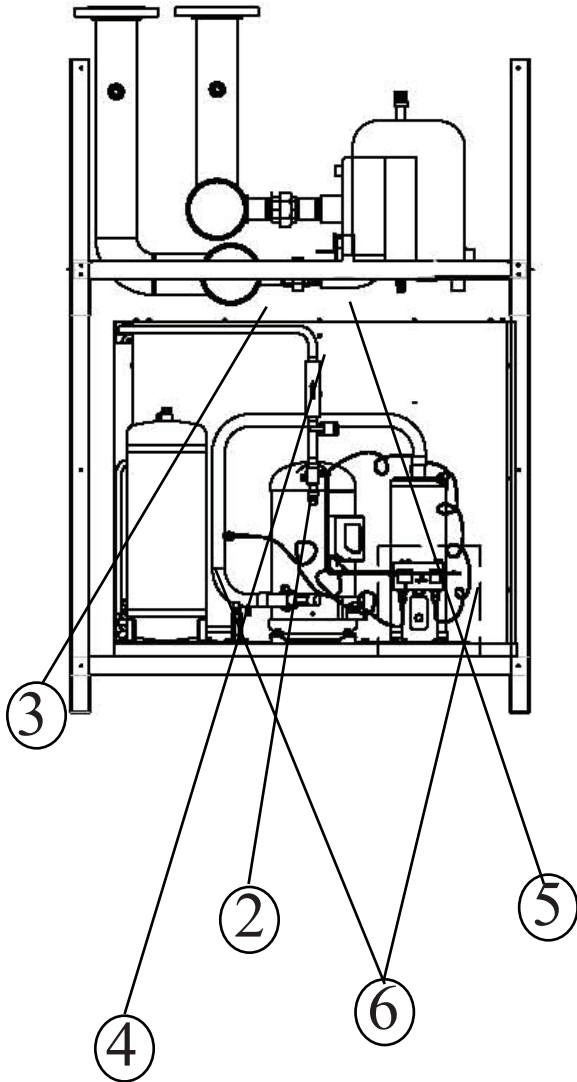
Owner's Manual Refrigerated Compressed Air Dryers Model F-1600 & F-2000

Read carefully before attempting to assemble, install, operate or maintain the product described. Protect yourself and others by observing all safety information. Failure to comply with instructions could result in personal injury and/or property damage. Retain instructions for future reference.

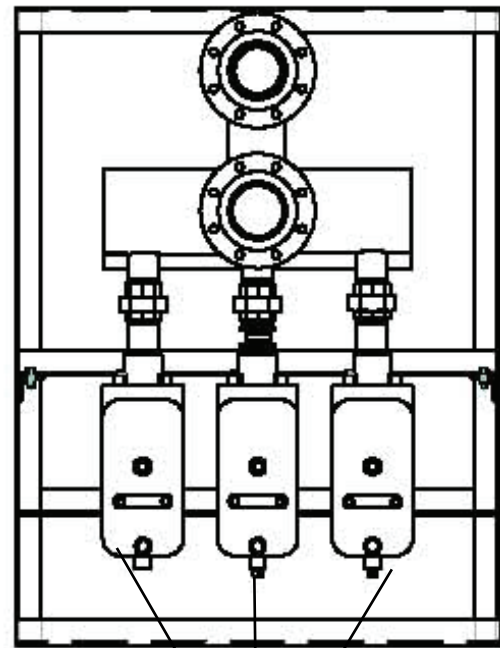
WARNING: Air treated by this equipment is not suitable for breathing without further purification. Refer to O.S.H.A. standards for the requirements for breathing quality air.



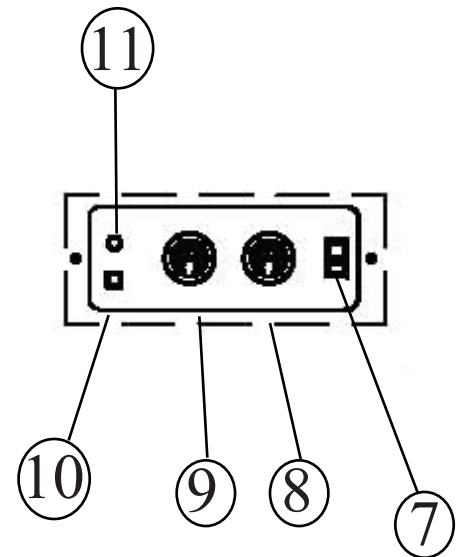
Side View



Top View



- 1) **Heat Exchanger/Separators (Qty 3-4)**
- 2) **Compressor**
- 3) **Expansion/Control Valve***
- 4) **Refrigerant Filter***
- 5) **Hot Gas Valve**
- 6) **Fan Motors**
- 7) **Power On Light/Switch (new style display)**
- 8) **Dew Point Indicator (new style display)**
- 9) **Discharge Pressure Gauge (new style display)**
- 10) **Drain Override (new style display)**
- 11) **Drain Alarm Light (new style display)**



*Approximate Location of Component

Receiving and inspection

Arrow Dryers are carefully prepared for shipment at the factory to protect them from damage in transit. Dryers are shipped F.O.B. factory. Immediately upon arrival, check the dryer for possible damage. **If damage is found, report it to the carrier and file a damage claim.**

Check the suction pressure gauge. If the suction pressure gauge reads zero, it indicates a possible refrigerant leak. Notify your dealer immediately.

Be sure you have the right dryer. Check the nameplate for voltage and amperage

How the Air Dryer Works

Compressed air enters the inlet and passes through the air-to-air heat exchangers where the air is partially cooled by the exiting cold air. Next, the air passes through a refrigerant-to-air heat exchanger where it is cooled to near the freezing point of water. As the air is cooled, it loses the capacity to hold water vapor. The water vapor condenses into water droplets, collects and drains. The water is exhausted by the automatic drain.

The compressed air, now at a pressure dew point of 35°F, leaves the dryer through the air-to-air heat exchanger where it is heated by the incoming air.

Location and Installation

Locate the dryer indoors in a protected area where ambient temperature will range between 45°F and 100°F. Dryers are usually located near the compressor. Do not cycle the dryer with the compressor. If an aftercooler is used after the compressor, install the dryer downstream of the aftercooler and receiver (see figure 2). Install the dryer so that there is sufficient room around it to permit circulation of air through the refrigeration condensing unit. Allow for easy access into the dryer through the cover panel.

Check the nameplate for voltage and amperage. The dryer is furnished with a 6 foot electrical cord for connection to a grounded outlet.

Be sure that the compressor air passes through the dryer in the proper direction. Connect the compressed air lines to the inlet and outlet connection as marked on the cabinet. Connect the air lines with standard pipe fittings.

The mechanical separator has an automatic drain with a 1/2" FPT drain line connection at the front the dryer cabinet.

It is recommended that a bypass line is piped around the dryer. Shutoff valves should be installed at both inlet and outlet, with another valve in the bypass line. This complies with O.S.H.A. lockout regulations and permits the dryer to be removed from the system or serviced without turning off the air supply.

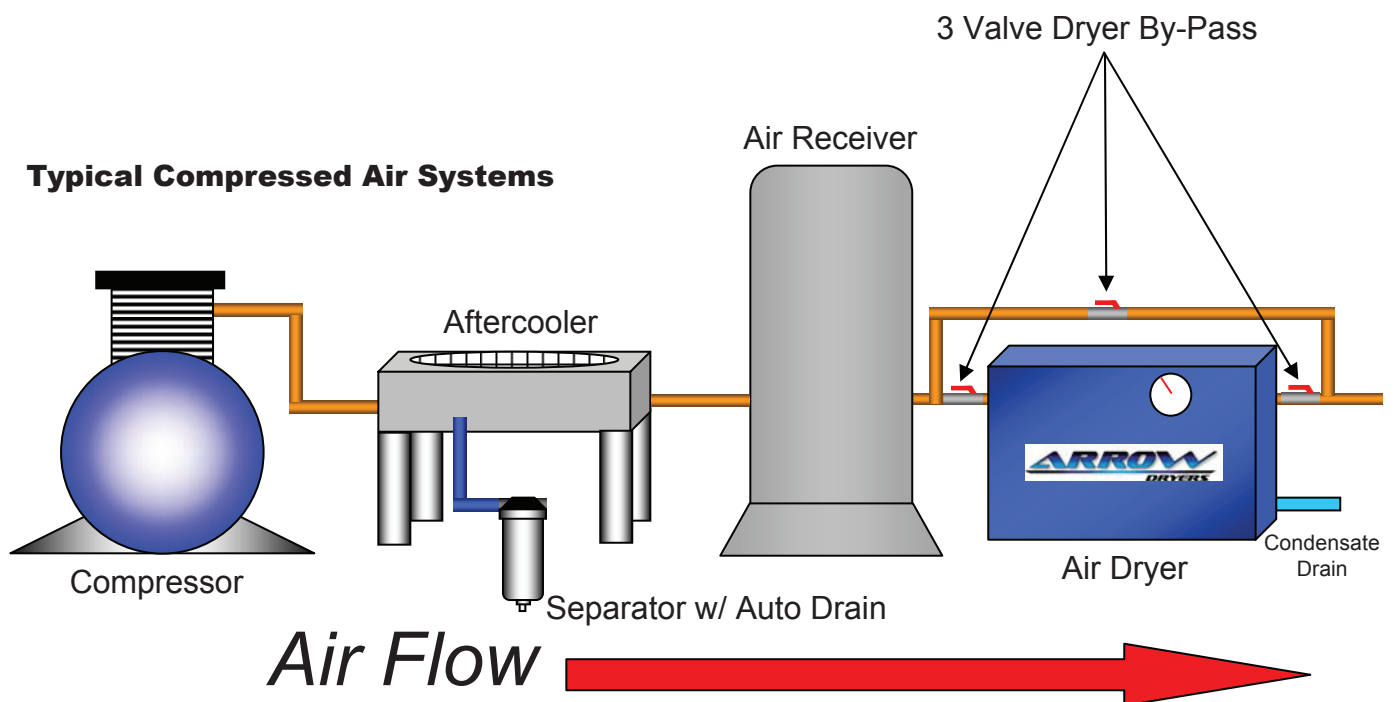
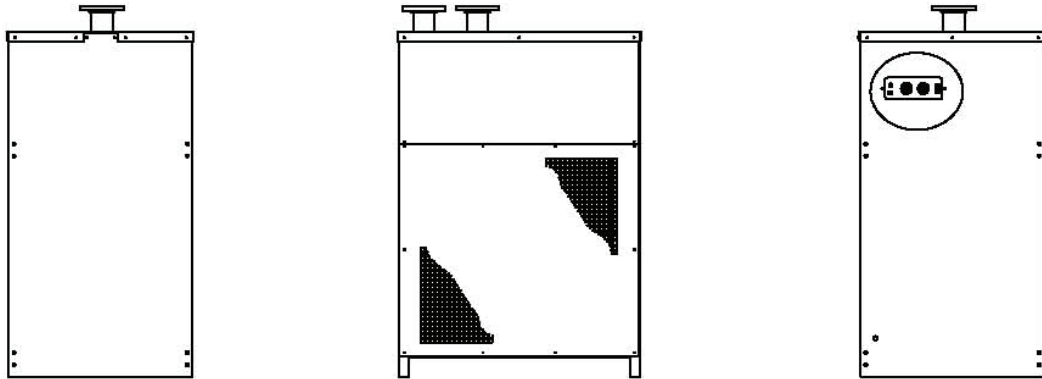


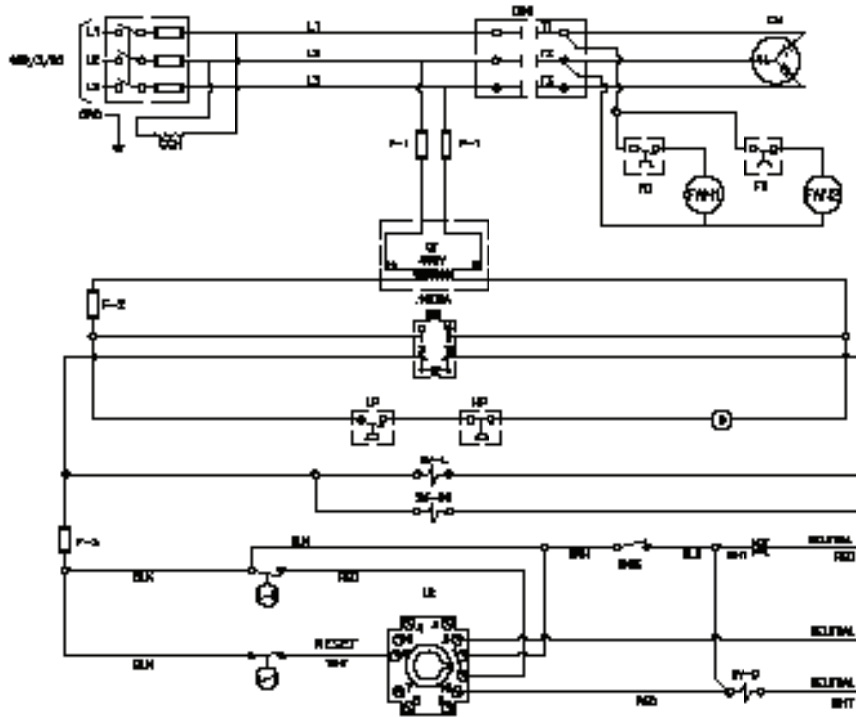
Figure 2

Dimensions

F-1600 & F-2000 Air Dryer



F-1600 & F-2000 Wiring



Specifications

Model No.	Power Supply	Capacity SCFM @ 100 PSIG	Dimensions (Inches)			Air Line Conn. FLG	Drain Line Conn. O.D.	H.P.	Rerfrig Charge*	Net Wt. Lbs.	Max. Press. PSI
			Length	Height	Width						
F-1600	208-230/3/60 or 460/3/60	1600	38.5	75.5	50.5	4"	1/2"	8	12 Lbs	985	175
F-2000		2000	38.5	75.5	50.5	4"	1/2"	10	14 Lbs	985	175

CFC-Free R-404A

NOTE: The air leaving the dryer is reheated to 25°F below the inlet air temperature

Design Conditions

The Dryer must not be cycled with the air compressor. The dryer is non-cycle and is designed to run continuously (even under light loads). If the compressed air system remains pressurized and the air compressor cycles off and on to maintain line pressure, the dryer should remain in operation to keep the air lines dry.

Air Flow SCFM: The rated air flow (SCFM) of the dryer is designed for 100 PSIG. Above the rated air flow, the dew point will rise and moist air may reappear downstream. The dryer may cycle off and on under excessive load and cause compressor damage.

Inlet Air Temperature: The dryer will function normally up to 100°F. Above this temperature, the dryer capacity will fall off. Inlet air temperature should be controlled so that it does not exceed 100°F.

Line Pressure: The maximum design pressure is 175 PSIG. The standard internal float drain in the separator will not rise and water will be ejected.

Ambient Air Temperature: Locate the dryer indoors in a protected area where the ambient temperature will range between 45°F and 100°F. Note: Above an ambient temperature of 100°F the refrigerant will rise until the dryer shuts down. Several off and on cycles under these conditions will damage the compressor.

Automatic Expansion Valve: The automatic expansion valve regulates the refrigerant suction pressure. The expansion valve is factory set between 72 and 76 PSIG.

Start UP

- 1) On initial start-up of system check electrical connections to the dryer, as well as the air piping, so inlet and outlet piping are connected to correct ports.
- 2) Check panel mounted Dew Point Indicator gauge before starting. The indicator must read above the green area and into the high red section.
- 3) When ready to operate the compressed air system, the dryer should be started before air compressor is started.
- 4) When closing the start switch the indicator light on the front panel of dryer will show there is power to the refrigeration compressor. The dew point indicator will slowly drop and hold within the green area the gauge.
- 5) When pressure has dropped to this level the air compressor can be started and air flow can begin.

NOTE: All dryer models are designed to operate without compressed air load in order to pre-cool the heat exchanger surface.

NOTE: Operation of dryer is automatic and continuous. Refrigerant compressor does not cycle off and on. Discharge of condensate through drain is automatic.

To Stop

To stop the unit turn start-stop switch to off position.

IMPORTANT: IF IT IS NECESSARY TO PROTECT THE AIR SYSTEM DURING NORMAL SHUT-DOWN THE INLET SHUT-OFF VALVE TO THE DRYER SHOULD BE CLOSED TO PREVENT WET AIR FROM ENTERING AIR SYSTEM.

How to Make Minor Refrigerant Suction Pressure Adjustments

- 1) Keep the dryer running **under no load** and turn off or bypass the compressed air.
- 2) Remove the dryer cover and locate the control valve (See Figure 3).
- 3) Remove cap. With 5/16" allen wrench a turn clockwise to increase or counterclockwise to decrease the suction pressure (1/4 turn will normally be enough). Wait 3 to 4 minutes for the suction pressure to settle. Repeat if needed. Replace cap when adjustments are completed.

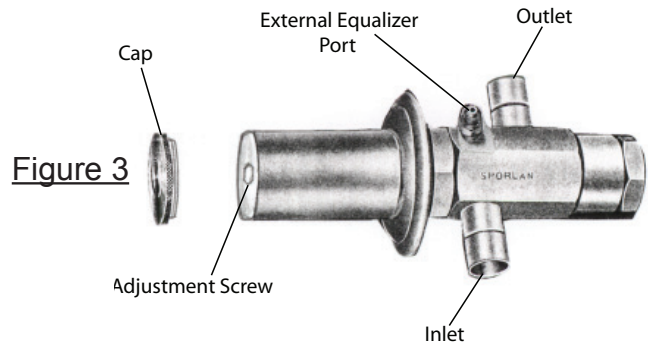


Figure 3

Maintenance and Care

NOTE: Refrigerant air dryers require relatively little maintenance if they are used accordance with the installation and operating instructions.

Cleaning Fin Surface

NOTE: These are air cooled refrigeration systems and depend upon cooling air drawn from the area around the dryer for efficient operation.

1. Inspect the fin surface of the condenser regularly and keep it free of dust, lint or paper.

NOTE: A vacuum cleaner or low pressure air hose can be used for regular and normal maintenance of the fin surface.

2. Machine shop applications with oil vapor in the room air may require cleaning with fin surface cleaners available from refrigerant supply houses.

Automatic Drain Operation

This air dryer is equipped with an automatic demand drain. The condensate which has been collected from the wet compressed air is stored in a separator and controlled with a float level device that will automatically trigger the opening of a drain solenoid valve discharging the stored condensate. On the front control panel there is a manual override button that will activate the drain manually when pressed. A drain alarm light has been installed on the control panel and will remain on when a malfunction occurs preventing the discharge of the condensate.

Symptom	TROUBLESHOOTING CHART Possible Causes(s)	Corrective Action
Unit will not run.	1. No Power.	1. Correct power supply, fuses, circuit breaker.
Dew Point Indicator Red Area High	1. Internal compressor overload.	1. Check for air overload. Check inlet air temperature. Check operation of fan motor.
Indicator light off	No power to the dryer.	Check power supply, fuses, circuit breaker.
Dew Point Indicator Red Area Low	1. Low refrigerant charge. 2. Low ambient temperature. 3. Low hot gas valve setting.	1. Have qualified refrigeration service technician check out dryer or call factory. 2. Relocate dryer to heated area between 45°F and 100°F 3. Re-adjust hot gas valve to the green area on the dew point indicator gauge. (See minor pressure adjustments)
High pressure drop	1. High air flow. 2. Drain valve not discharging. 3. Freezing moisture in evaporator. 4. Plugged separator element or drain.	1. Air flow above rated flow of dryer. 2. Manually blow down drain until water flow stops. Clean drain. 3. Re-adjust hot gas valve to the green area on the dew point indicator gauge. (See minor pressure adjustments) 4. Clean or replace.
Water downstream of dryer	1. Compressed air is flowing through dryer before it is turned on. 2. Dirty separator element or drain. 3. Overload dryer above air flow capacity. 4. High suction pressure. 5. Low outlet air pressure. 6. Low refrigerant charge.	1. Dryer must be operating 5-10 minutes before compressed air load. 2. Disassemble and clean. 3. Reduce air load to dryer specifications.* 4. Inlet air temperature too hot. 5. Freezing of water, adjust suction pressure.* 6. Contact service technician to leak check.

NOTE: Check or repairs of the refrigeration system must be done by a qualified refrigeration service technician with the required gauges and other equipment.

*All adjustments must be made under no compressed air load.

NOTES:

**ORDER REPLACEMENT PARTS
BY CALLING
(877) 640-8300**

Please provide following information:

- Model Number
- Serial Number (if any)
- Part Description and Number

Address parts correspondence to:

ARROW DRYERS
745 Clark Ave.
Bristol, CT 06010

WARRANTY POLICY

When used under the conditions recommended by the manufacturer, Arrow Dryers, this model is warranted to be free from defects in material and workmanship for a period of twenty-four (24) months from date of receipt, not to exceed thirty (30) months from the factory ship date, provided Arrow is furnished the customer's name, address, and date of shipment information

These units will utilize either a braze plate or modular type heat exchanger which will be warranted for two (2) years. This warranty is limited to the replacement of the heat exchangers, F.O.B. Factory, and subject to the same restrictions as outlined below concerning misuse, abuse or accident. The automatic demand drain carries a 90-day warranty.

This warranty will apply to equipment installed, operated and maintained in accordance with the procedures and recommendations as outlined in the owner's manual published by Arrow Dryers.

During the life of this warranty, Arrow Dryers will repair or replace (at Arrow Dryers' option) any defective part or assembly, free of charge, F.O.B. its plant if such defect occurred in normal service and was not due to apparent misuse, abuse or accident.

Any warranty service performed in the field *must be authorized by Arrow Dryers*, Unauthorized service voids the warranty and any resulting charge will not be paid by Arrow Dryers.

Arrow Dryers makes no other warranties or guarantees, expressed or implied. The merchantability of the components is expressly excluded. The manufacturer assumes no liability for indirect or consequential damages.

